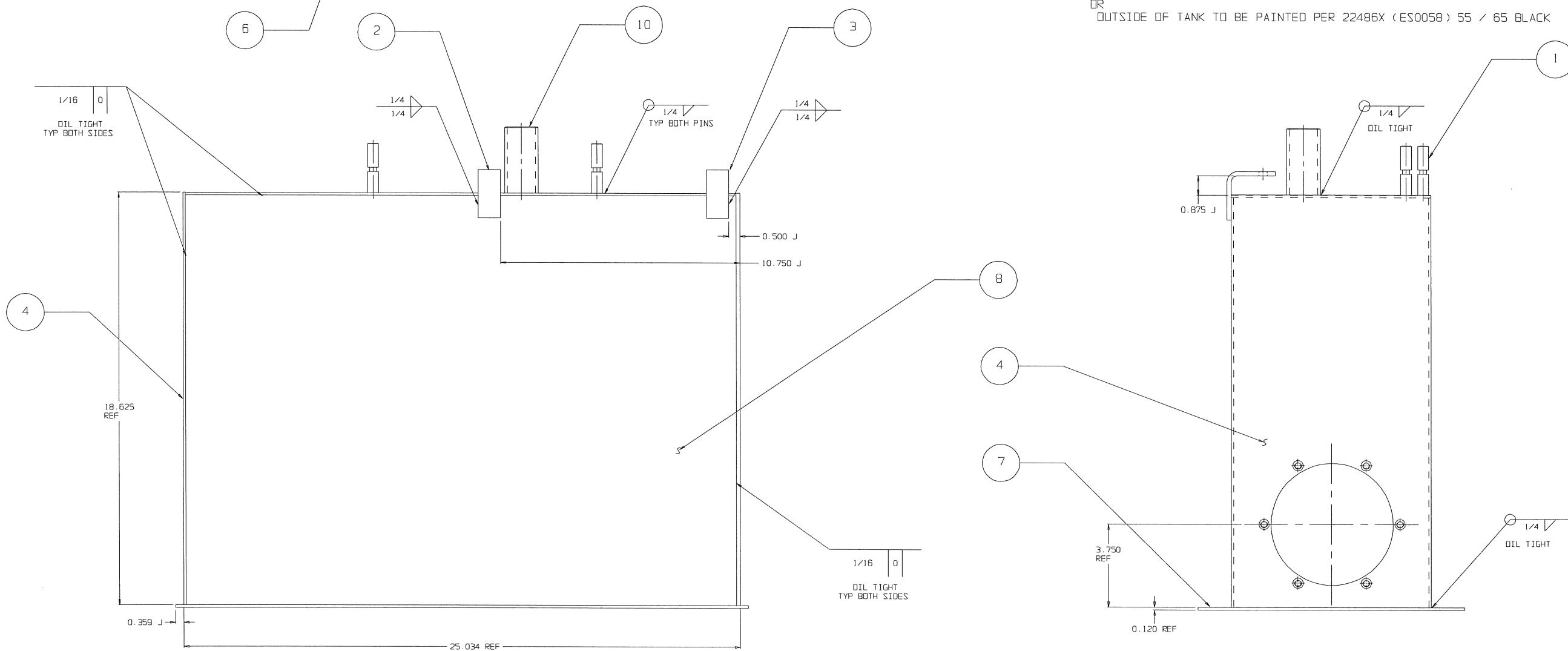


ITEM	QTY	PART NUMBER	DESCRIPTION
10	1	1525	3" FILLER PIPE
9	2	1505	CAPPLUG 7/32
8	2	1486	BLANK 60QT SIDE, 12GA. 18.75 X 24.75
7	1	1484	BOTTOM PUNCHED, 40 & 60QT
6	1	1478	TOP COMPLETE W/NUTS 40, 60QT - 2V
5	1	1474	BLANK 60QT BACK 12GA. 9 X 18.625
4	1	1473	FRONT COMPLETE W/NUTS 40H & 60
3	1	1422	TANK BRACKET 2 X 2
2	1	1402	TANK BRACKET 1.5 X 2
1	2	1200	3 & 4 VALVE TANK LEVER PIVOT PIN

- NOTES:
 1) NUTS ON ITEM 4 TO BE ON THE INSIDE OF TANK AFTER WELDING
 2) OUTSIDE OF TANK TO BE POWDER COATED (2 - 3 MIL) DRY FILM THICKNESS / COLOR: BLACK, 70 - 80% GLOSS
 OR
 OUTSIDE OF TANK TO BE PAINTED PER 22486X (ES0058) 55 / 65 BLACK



Q38139D

ALL DRAWINGS AND BLUEPRINTS SUPPLIED BY ENERGY MANUFACTURING CO. ARE SUBJECT TO PROTECTION UNDER THE UNITED STATES COPYRIGHT LAW, WHICH AMONG OTHER THINGS, PROHIBITS REPRODUCTION, DERIVATION OR DISTRIBUTION OF COPIES. THE DRAWINGS CONTAIN TRADE SECRETS OF ENERGY MANUFACTURING CO. AND ARE SUPPLIED TO THE VENDOR OR CUSTOMER ON A CONFIDENTIAL BASIS AND SHALL NOT BE DISCLOSED OR DISTRIBUTED TO OTHERS WITHOUT THE PRIOR EXPRESS WRITTEN PERMISSION OF ENERGY MANUFACTURING CO. ALL DRAWINGS AND OTHER WRITTEN MATERIALS PROVIDED TO THE VENDOR OR CUSTOMER SHALL BE RETURNED TO ENERGY MANUFACTURING CO. WHEN THE NEED FOR SUCH MATERIALS IS ENDED, OR UPON THE EARLIER DEMAND FOR THE RETURN OF THE MATERIALS BY ENERGY MANUFACTURING CO.

DO NOT SCALE PRINT

UNLESS OTHERWISE SPECIFIED
 Letters after dimensions defines tolerances as follows:
 A +/- 0.00015 G +/- 0.010
 B +/- 0.0003 H +/- 0.020
 C +/- 0.0005 J +/- 0.030
 D +/- 0.001 K +/- 0.050
 E +/- 0.002 L +/- 0.125
 F +/- 0.005 Angle +/- 2°

Material: SEE BOM

Drawn by: G. C. 07.06.04
 Checked by:
 Approved By:

No.	Revision	Date	Appr. By
01	REDRAWN IN CAD	07.06.04	ECN2630

Third Angle Projection.

WILLIAMS MACHINE & TOOL

Title: RESERVOIR, 60QT - 2V

Scale: 0.50